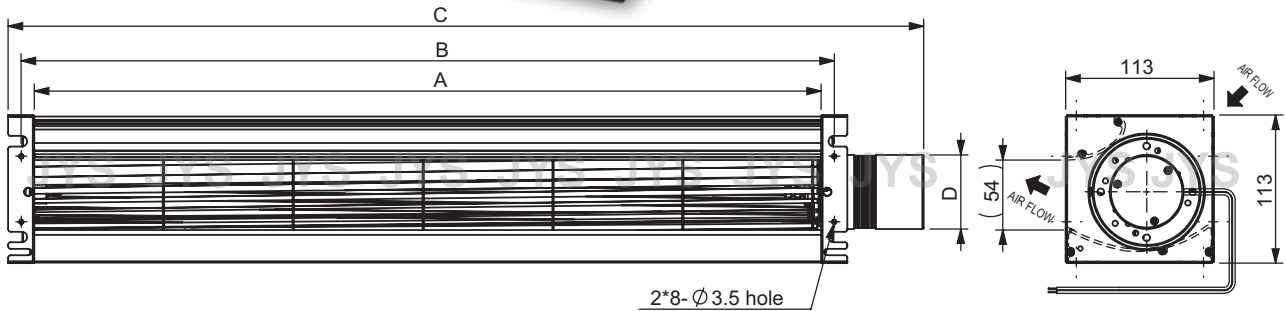
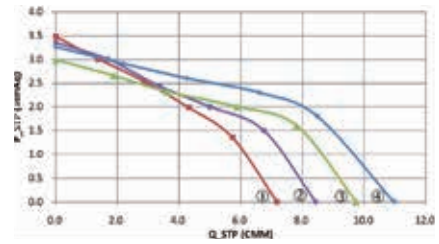


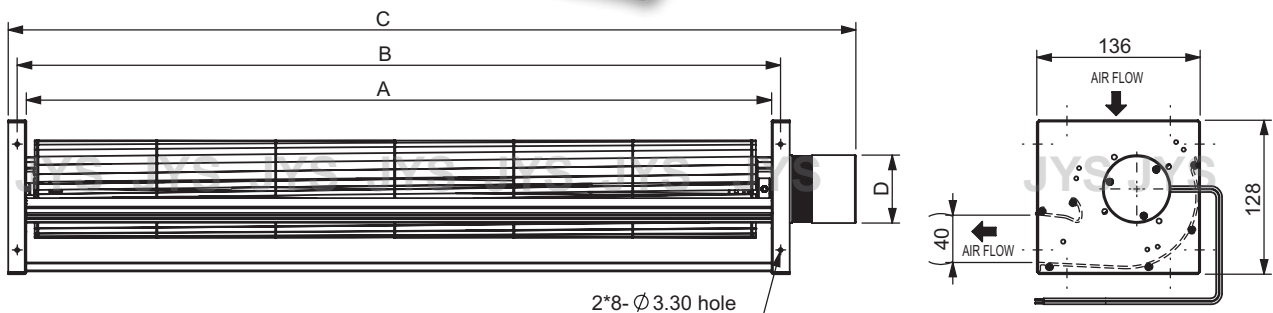
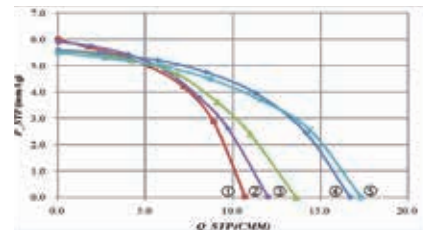
### JH3-081A SERIES DC FAN



Motor : DC Brushless type(3Phase)

Model	Spec.	Size(mm)				Rated Voltage (V)	Rated Current (A)	Speed (r.p.m.)	Max Pressure (mmAq)	Maximum Air Flow (m <sup>3</sup> /min)	Noise (dBA)	Weight (kg)
		A	B	C	D							
JH3-08142A24-3B ①		420	440	518	56	24	1.55	1850	3.5	7.2	51	1.65
JH3-08150A24-3B ②		500	520	598	56		1.75	1700	3.4	8.4	48	1.80
JH3-08160A24-3B ③		600	620	698	56		1.85	1600	3.0	9.7	46	1.95
JH3-08170A24-3B ④		700	720	798	82		2.10	1700	3.3	11.0	48	2.60

### JF3-081A SERIES DC FAN



Motor : DC Brushless type(3Phase)

Model	Spec.	Size(mm)				Rated Voltage (V)	Rated Current (A)	Speed (r.p.m.)	Max Pressure (mmAq)	Maximum Air Flow (m <sup>3</sup> /min)	Noise (dBA)	Weight (kg)
		A	B	C	D							
JF3-08142A24-3B ①		440	455	525	56	24	1.70	1700	6.0	10.7	57	1.90
JF3-08150A24-3B ②		520	535	605	56		1.83	1650	5.9	12.0	57	2.05
JF3-08160A24-3B ③		620	635	705	56		2.00	1550	5.6	13.6	56	2.25
JF3-08170A24-3B ④		720	735	805	82		2.27	1550	5.6	16.7	56	2.90
JF3-08180A24-3B ⑤		820	835	905	82		2.35	1500	5.5	17.3	55	3.05