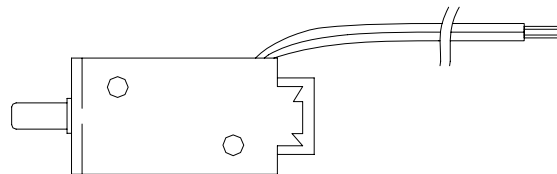
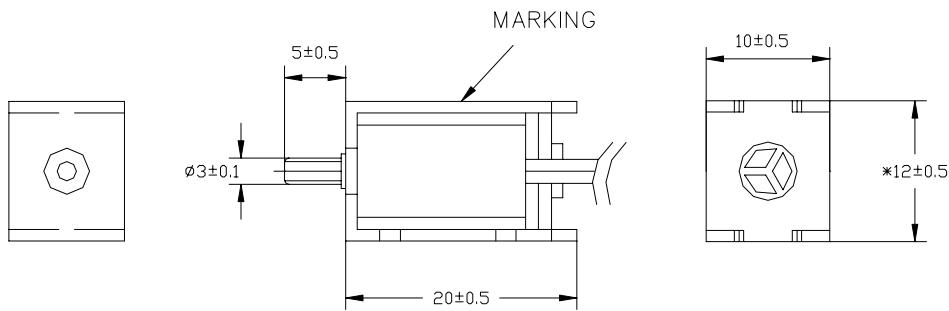


JSV05A

Photo:



Dimension:



Unit: mm

Characteristic

1.Rated Voltage	DC3V
2.Rated Current	75mA
3.Exhaust Time	Max3.0 sec (From 300mmHg to 15 mmHg at 100cc tank)
4.Resistance	$40 \Omega \pm 10\%$
5.Leakage	Max 3mmHg/min (From 300mmHg at 100cc tank)
6.Insulation Grade	A
7.Fluid Applied	Air