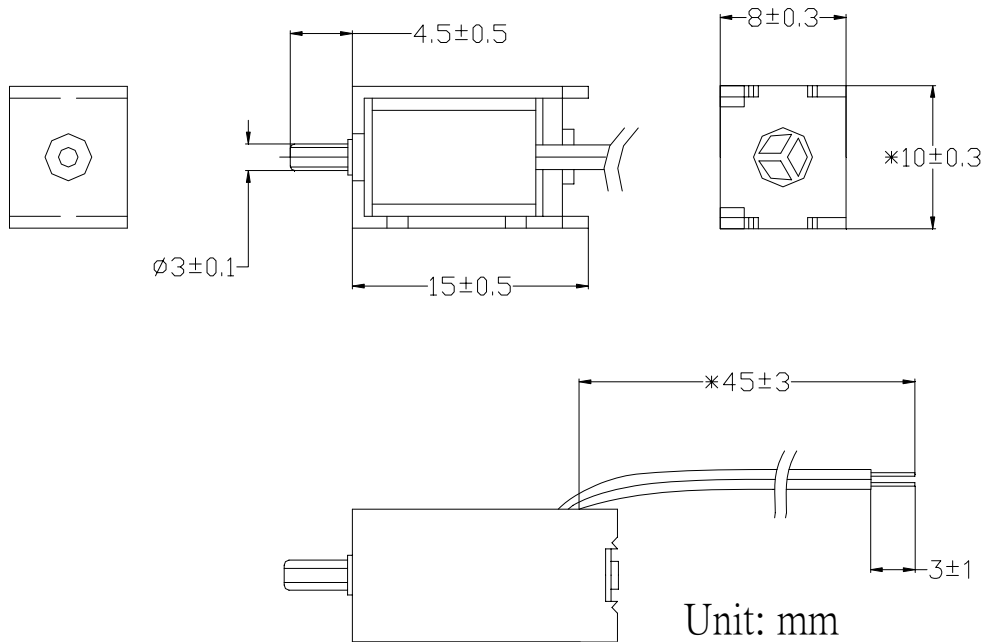


JSV04A

Photo:



Dimension:



Characteristic

1. Rated Voltage	DC3.0V
2. Rated Current	150mA
3. Exhaust Time	Max 4.0seconds from 300mmHg reduce to 15 mmHg at 500cc tank
4. Resistance	$20 \Omega \pm 10\%$
5. Leakage	Max 3mmHg/min (From 300mmHg at 500cc tank)
6. Insulation Grade	A
7. Fluid Applied	Air