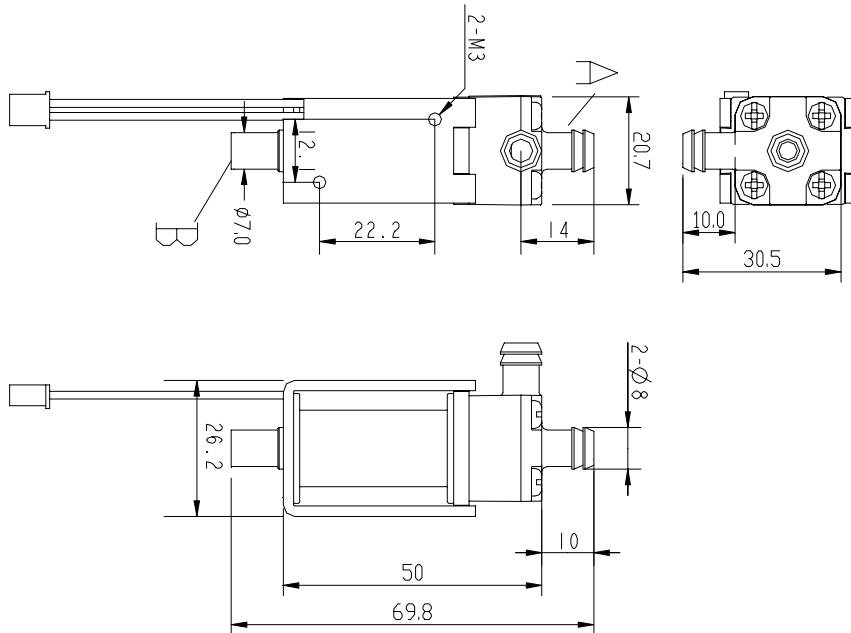


JSV3WJ

Photo:

Dimension:



Characteristic

1. Rated Voltage	DC12V
2. Rated Current	225mA
3. Exhaust Time	Max 4.0sec (From 450mmHg to 20mmHg at 500cc tank)
4. Resistance	$53 \Omega \pm 10\%$
5. Leakage	Max 5mmHg/min (From 300mmHg at 500cc tank)
6. Insulation Grade	A
7. Fluid Applied	Air