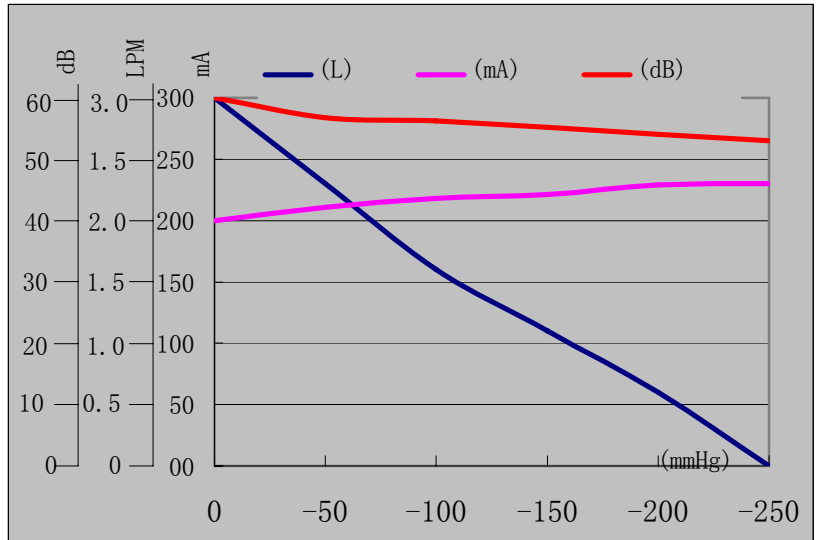


JPV20A

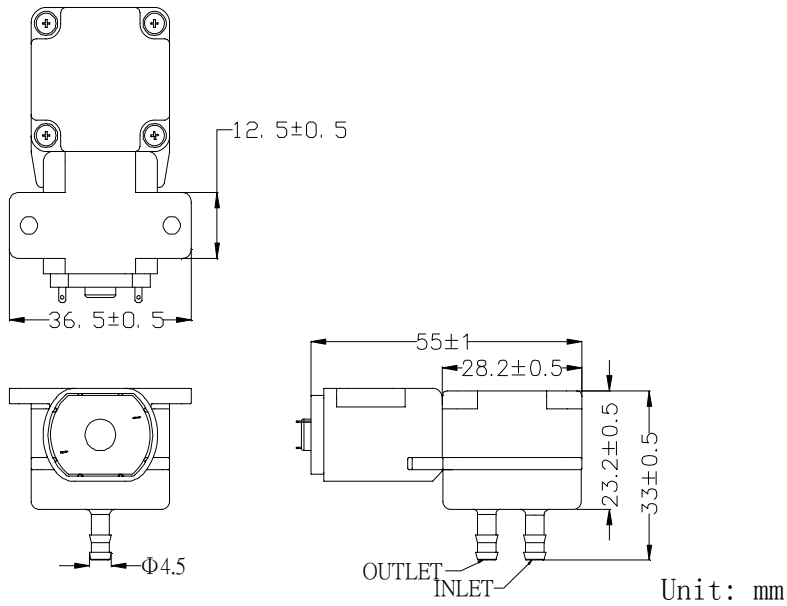
Photo:



Characteristic Curve:



Dimension



Characteristic

| | |
|-------------------------------|---|
| 1. Rated Voltage | DC6V |
| 2. Range of Operating Voltage | DC5.4~ 6.0 V |
| 3. Rated Current | <270mA |
| 4. Power Consumption | 1.22W |
| 5. Fluid Applied | Air |
| 6. Outlet Port O.D. | 4.5mm |
| 7. Vacuum Air Flow | >1.5LPM |
| 8. Maximum Vacuum | <-175mmHg |
| 9. Restart Voltage | 3.0V |
| 10. Noise | <75dB (30cm away) |
| 11. Life | 30,000 times (on 5sec, off 7sec as one cycle) |