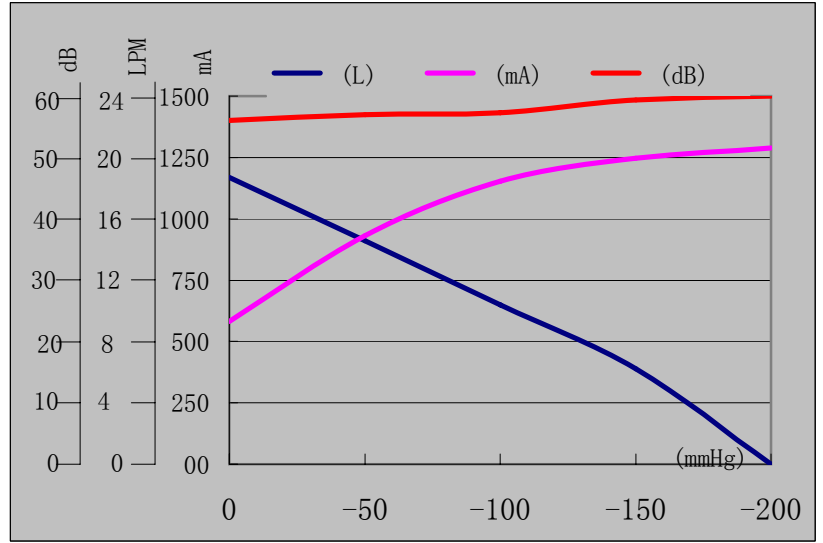


JPV36A

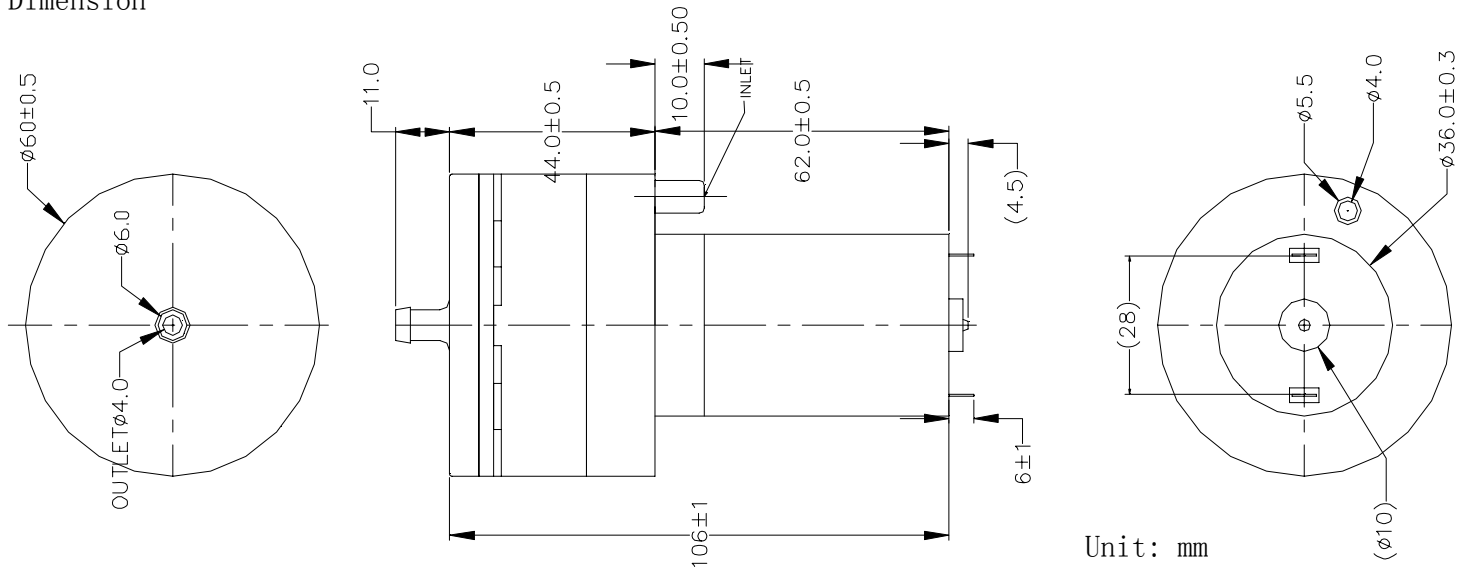
Photo:



Characteristic Curve:



Dimension



Characteristic

1. Rated Voltage	DC12V
2. Range of Operating Voltage	DC8.0~13.0V
3. Rated Current	<1800mA
4. Power Consumption	21.6W
5. Fluid Applied	Air
6. Outlet Port O.D.	6.0mm
7. Vacuum Air Flow	>15.0LPM
8. Maximum Vacuum	<-380mmHg
9. Restart Voltage	8.0V
10. Noise	<70dB (30cm away)
11. 壽命 Life	30,000 times (on 4sec, off 4sec, deflating for 4sec as one cycle)