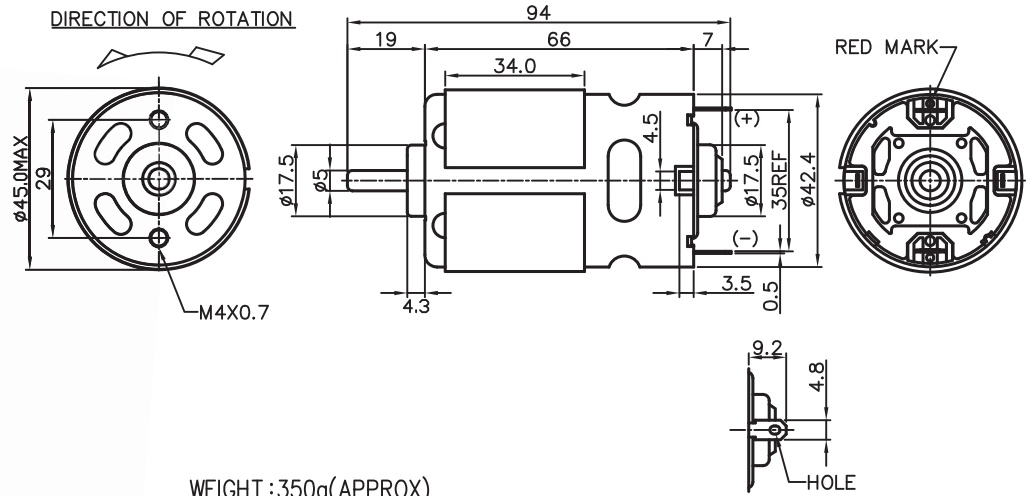


## POINT : Tire Pump



MODEL	VOLTAGE		NO LOAD		AT MAXIMUM EFFICIENCY					STALL			
	OPERATING RANGE	NOMNAL	SPEED	CURRENT	SPEED	CURRENT	TORQUE		OUTPUT	EFF	CURRENT	TORQUE	
			rpm	A	rpm	A	g-cm	mN-m	W	%	A	g-cm	mN-m
770-8525F	6.0 - 12.0	12.0V CONSTANT	16000	1.80	13500	12.08	819	80.29	114.28	79.40	82.97	5997	587.94
770-7040	6.0 - 18.0	12.0V CONSTANT	9700	1.30	8400	5.98	605	59.31	52.79	73.43	56.91	6076	595.69
770-4087	12.0 - 24.0	12.0V CONSTANT	4550	0.60	3500	2.81	572	56.08	21.14	62.92	14.11	3408	334.12
770-32165	12.0 - 36.0	24.0V CONSTANT	4650	0.22	3900	1.25	540	52.94	22.04	73.61	8.56	4050	397.06

