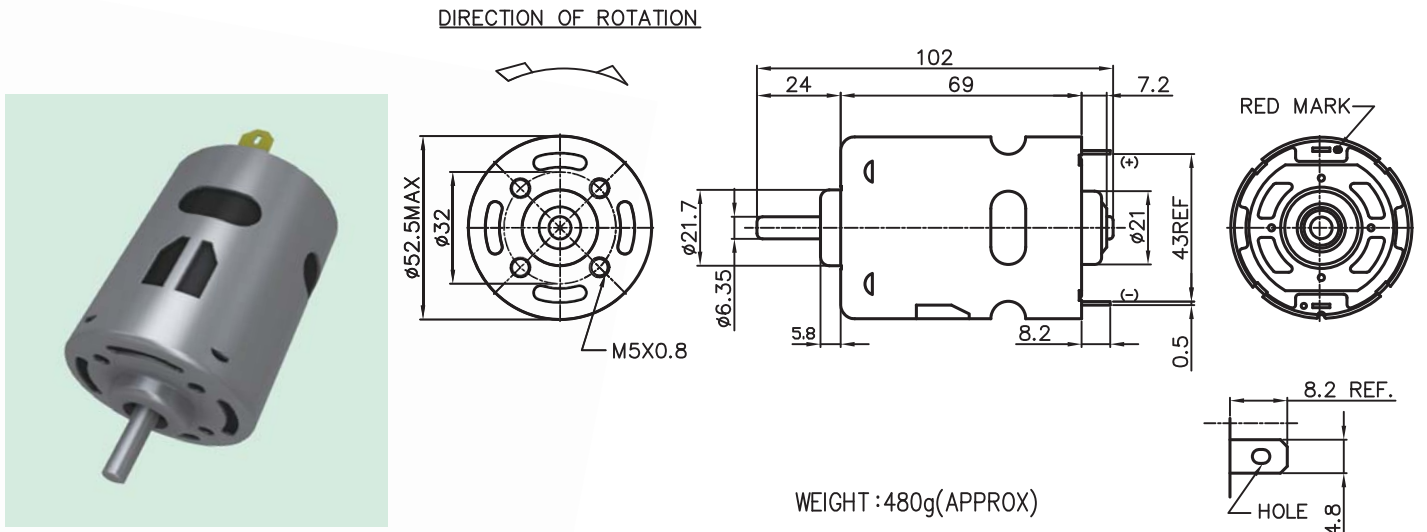


POINT : Drill & Screwdriver \ Electric gate



| MODEL     | VOLTAGE         |                | NO LOAD |         | AT MAXIMUM EFFICIENCY |         |        |        |        |       | STALL   |        |        |
|-----------|-----------------|----------------|---------|---------|-----------------------|---------|--------|--------|--------|-------|---------|--------|--------|
|           | OPERATING RANGE | NOMNAL         | SPEED   | CURRENT | SPEED                 | CURRENT | TORQUE |        | OUTPUT | EFF   | CURRENT | TORQUE |        |
|           |                 |                | rpm     | A       | rpm                   | A       | g-cm   | mN-m   | W      | %     | A       | g-cm   | mN-m   |
| 987-8010F | 6.0 - 12.0      | 12.0V CONSTANT | 13100   | 2.30    | 11100                 | 11.93   | 892    | 87.45  | 102.35 | 71.78 | 82.53   | 6900   | 676.47 |
| 987-8012F | 6.0 - 18.0      | 12.0V CONSTANT | 10800   | 2.00    | 9000                  | 13.08   | 1155   | 113.24 | 107.35 | 68.26 | 79.56   | 8031   | 787.35 |
| 987-5524F | 12.0 - 24.0     | 24.0V CONSTANT | 11000   | 0.95    | 9700                  | 6.33    | 1124   | 110.19 | 112.29 | 74.00 | 44.62   | 8747   | 857.54 |
| 987-5025F | 12.0 - 24.0     | 12.0V CONSTANT | 5050    | 1.20    | 4000                  | 4.75    | 852    | 83.53  | 35.27  | 62.69 | 20.25   | 4260   | 417.64 |

