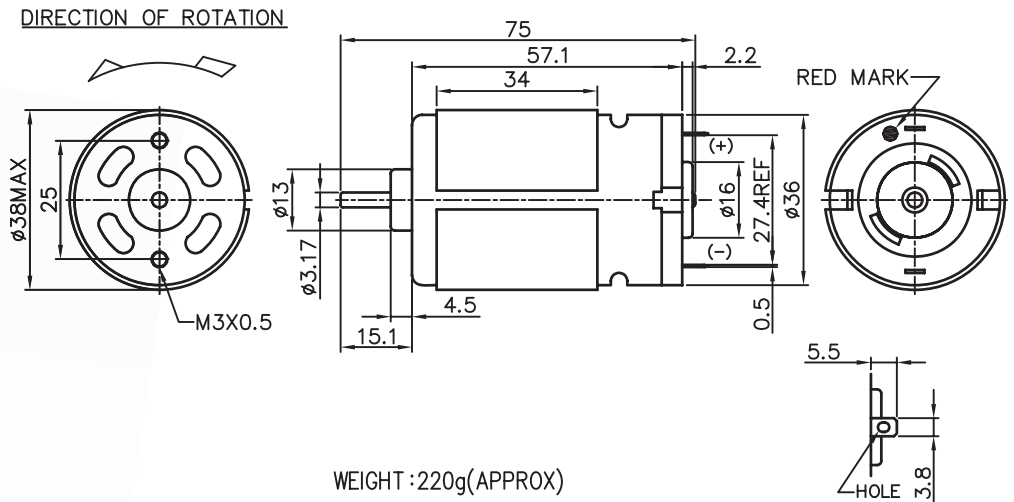


## POINT : Air Compressor 、 Drill & Screwdriver



MODEL	VOLTAGE		NO LOAD		AT MAXIMUM EFFICIENCY						STALL		
	OPERATING RANGE	NOMNAL	SPEED	CURRENT	SPEED	CURRENT	TORQUE	OUTPUT	EFF	CURRENT	TORQUE		
			rpm	A	rpm	A	g-cm	mN-m	W	%	A	g-cm	mN-m
KS3N-30100	12.0 - 24.0	12.0V CONSTANT	5200	0.30	4300	1.33	235	23.04	10.50	65	7.21	1500	147.06
KS3N-4553	6.0 - 12.0	12.0V CONSTANT	10200	0.60	8400	3.60	353	34.61	30.86	72	22.68	2513	246.37
KP3N-7521	4.8 - 12.0	7.2V CONSTANT	14500	1.50	12700	9.89	390	38.24	51.24	72	79.81	3608	353.73
KP3N-35110	6.0 - 24.0	12.0V CONSTANT	4500	0.15	3800	1.14	242	23.73	9.61	71	8.33	2020	198.04

