

code 30.97309.00

Project code P8869

Stack M35

Poles 2

Voltage [V] 220

Frequency [Hz] 50 - 60

μ F 5

Vc 450

W 245

A 1.2

Rpm 2600

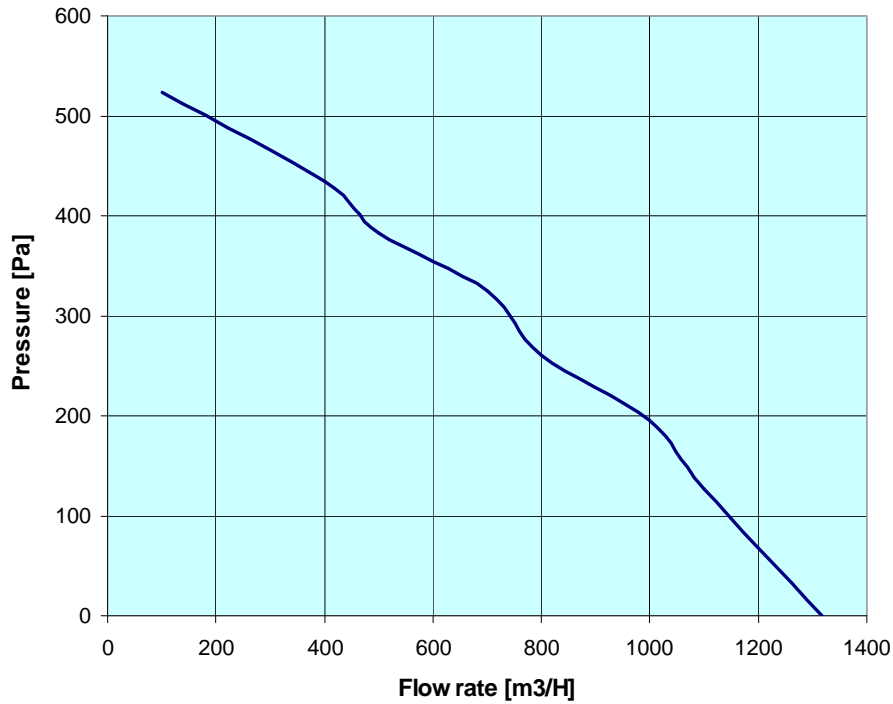
class F

Fanmotor

Fan 250 x 52

Speed 1

Scroll CK200A

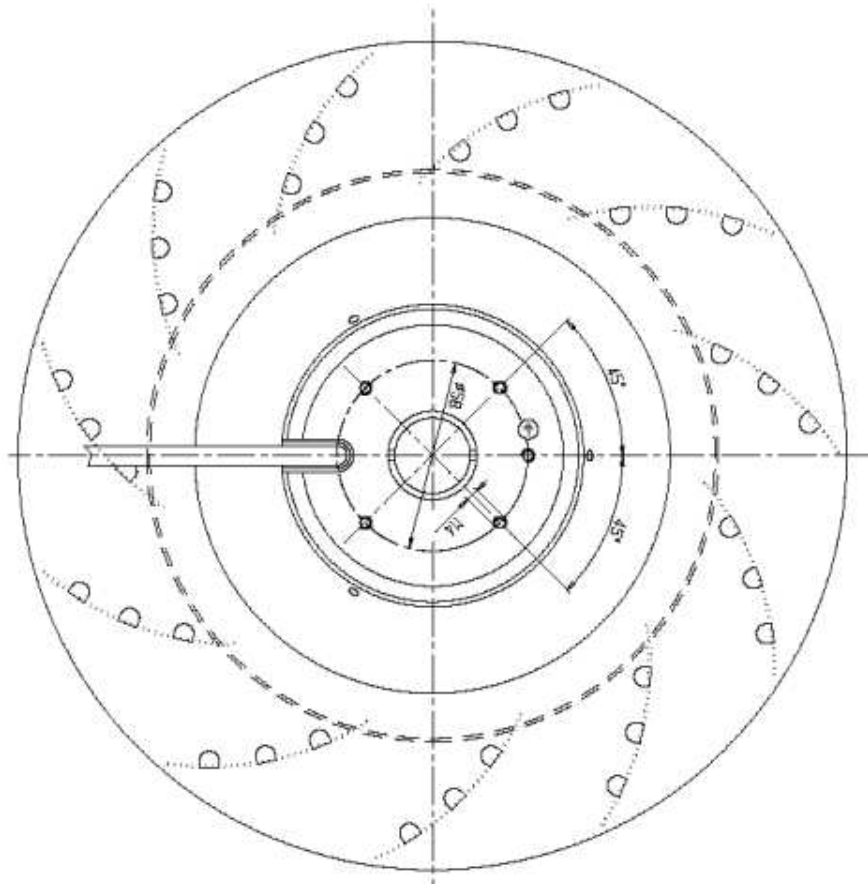
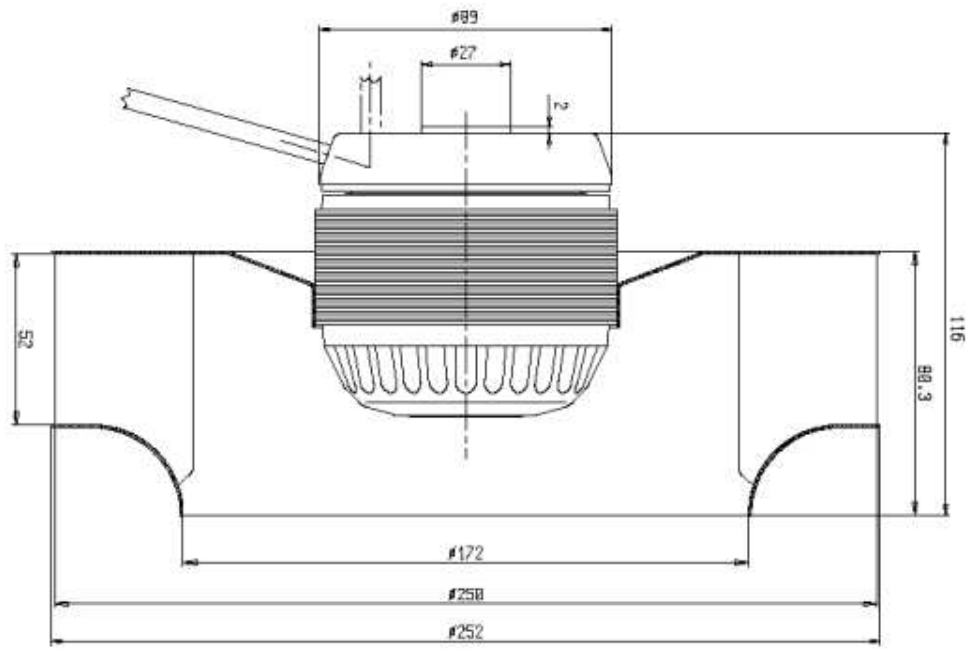


	Flow rate [m3/H]	Pressure [Pa]	Rpm	WI [w]	il [A]	
V	220	100	524	2760	125,9	0,568
Hz	50	500	383	2525	177,7	0,82
		800	261	2518	179,4	0,827
		1317	0	2731	132,8	0,624

V	Hz	μ F	Tested equipment	Δ Tm	Δ Ta	Rpm
233	50	5	Scroll f.a.	70,1	68,1	
233	50	5	Scroll p.c.	59,3	55,6	

Locked Rotor test

V	Hz	μ F	W	A
220	50	5		



code 30.97309.00

Project code P8869

Stack M35

Poles 2

Voltage [V] 220

Frequency [Hz] 50 - 60

μ F 5

Vc 450

W 245

A 1.2

Rpm 2600

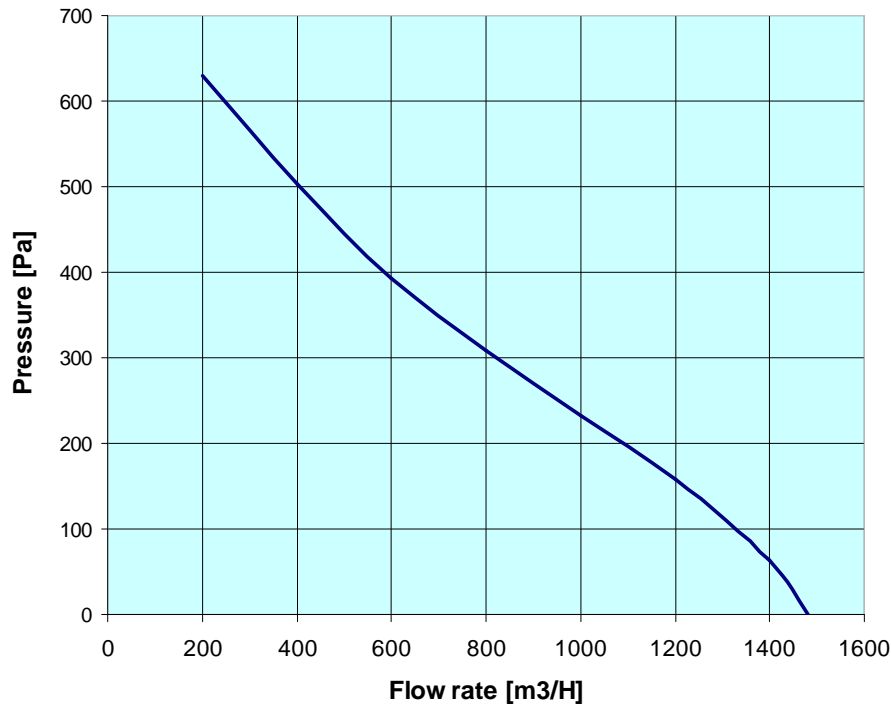
class F

Fanmotor

Fan 250 x 52

Speed 1

Scroll CK200A



	Flow rate [m3/H]	Pressure [Pa]	Rpm	Wl [w]	il [A]
V 220	100	687	3157	177	0,824
Hz 60	600	393	2607	243,7	1,112
	1000	233	2699	235,2	1,076
	1481	0	3079	189,5	0,879

V	Hz	μ F	Tested equipment	Δ Tm	Δ Ta	Rpm
233	60	5	Scroll f.a.	54,6	62,3	
233	60	5	Scroll p.c.	70,1	68,5	

Locked Rotor test

V	Hz	μ F	W	A
220	60	5		

