

code 30.97280.00

Project code P8771

Stack M42

Poles 2

Voltage [V] 220 - 240

Frequency [Hz] 60

$\mu$  F 8

Vc 400

W 360

A 1.55

Rpm 2270

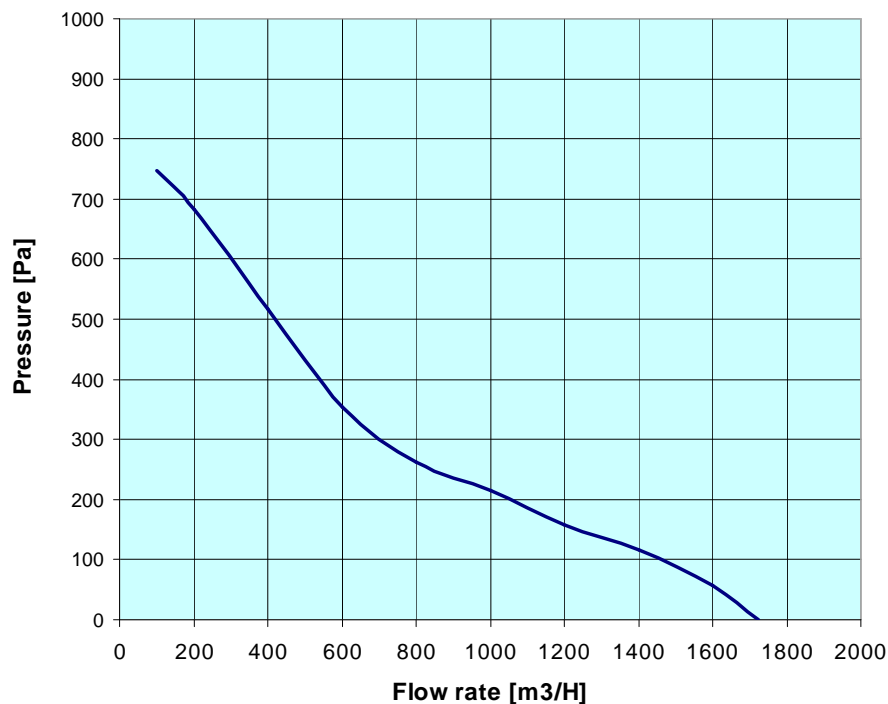
class F

## Fanmotor

Fan 280 x 50

Speed 1

Scroll CK315C

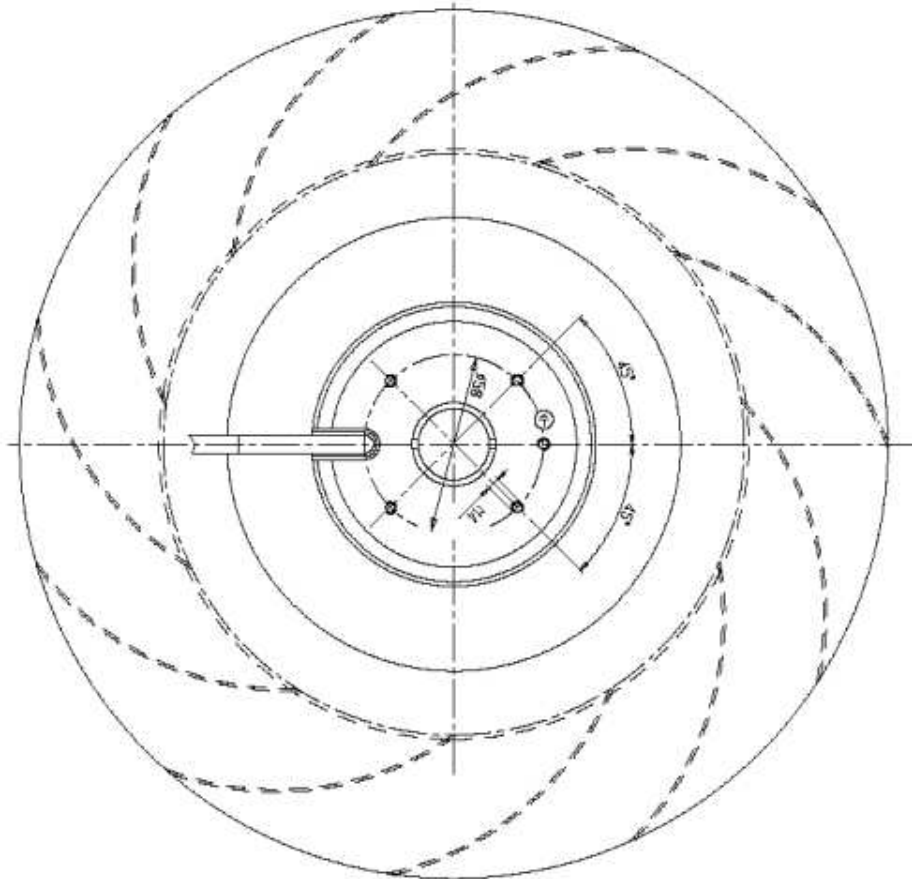
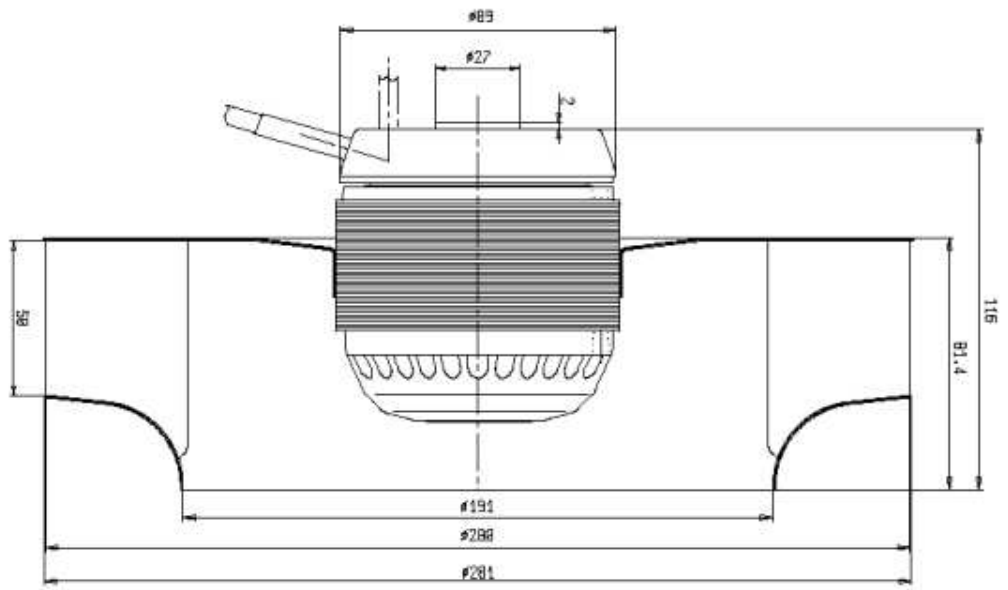


	Flow rate [m3/H]	Pressure [Pa]	Rpm	WI [w]	il [A]
V	100	747	2969	226,3	1,089
Hz	600	353	2178	312,5	1,429
	1200	158	2205	309,7	1,424
	1725	0	2602	278,1	1,292

V	Hz	$\mu$ F	Tested equipment	$\Delta$ Tm	$\Delta$ Ta	Rpm
---	----	---------	------------------	-------------	-------------	-----

### Locked Rotor test

V	Hz	$\mu$ F	W	A
220	60			



code 30.97280.00

Project code P8771

Stack M42

Poles 2

Voltage [V] 220 - 240

Frequency [Hz] 60

$\mu$  F 8

Vc 400

W 360

A 1.55

Rpm 2270

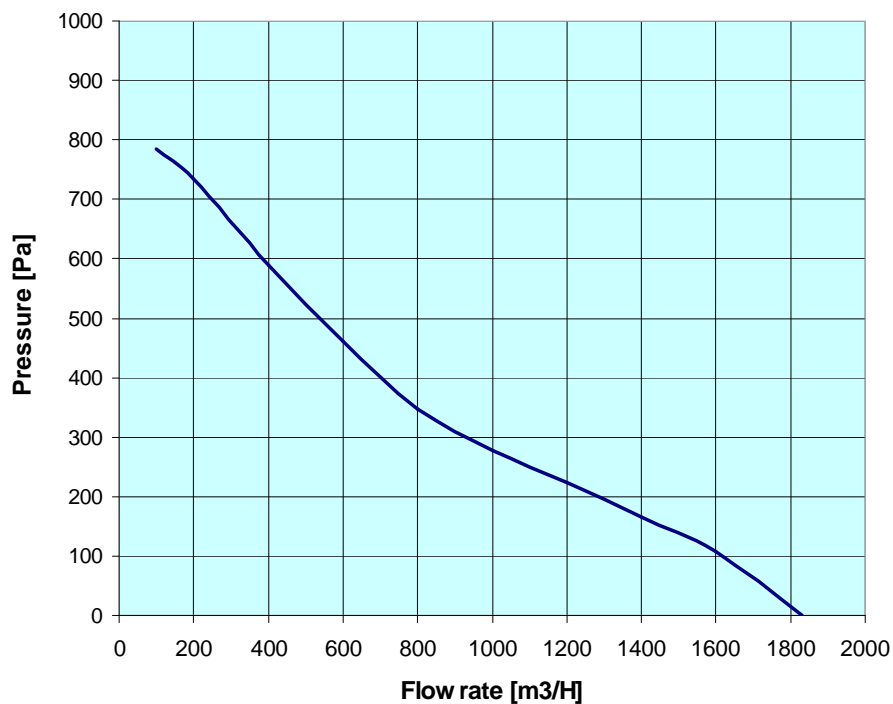
class F

## Fanmotor

Fan 280 x 50

Speed 1

Scroll CK315C



	Flow rate [m3/H]	Pressure [Pa]	Rpm	WI [w]	il [A]
V	240	100	785	3056	248,1
Hz	60	600	461	2447	338,7
	1200	223	2331	349	1,475
	1830	0	2758	304,6	1,301

V	Hz	$\mu$ F	Tested equipment	$\Delta$ Tm	$\Delta$ Ta	Rpm
254	60	8	Scroll f.a.	73,8	64,1	
254	60	8	Scroll p.c.	80,3	74	

### Locked Rotor test

V	Hz	$\mu$ F	W	A
240	60	8		

