

code 30.97302.00

Project code P8880

Stack M35

Poles 2

Voltage [V] 220 - 240

Frequency [Hz] 50 - 60

μ F 4

Vc 450

W 210

A 0.86

Rpm 2300

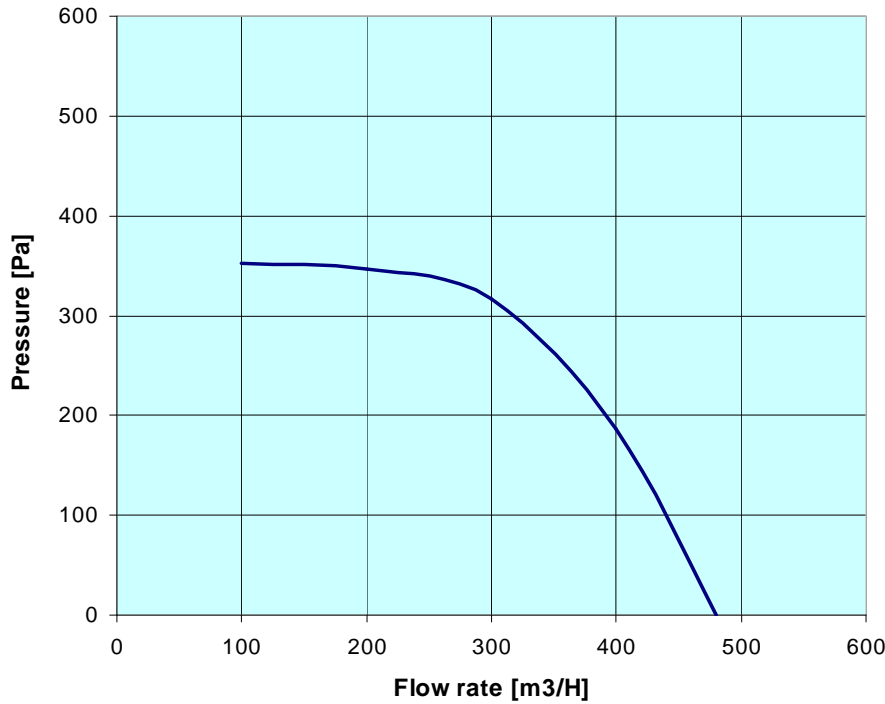
class B

Fanmotor

Fan 140 x 59

Speed 1

Scroll AI5111



	Flow rate [m3/H]	Pressure [Pa]	Rpm	Wl [w]	il [A]
V 220	100	352	2796	83,67	0,38
Hz 50	200	347	2707	95,26	0,43
	300	317	2579	110,8	0,499
	480	0	2181	147,2	0,665

V	Hz	μ F	Tested equipment	Δ Tm	Δ Ta	Rpm
---	----	-----	------------------	------	------	-----

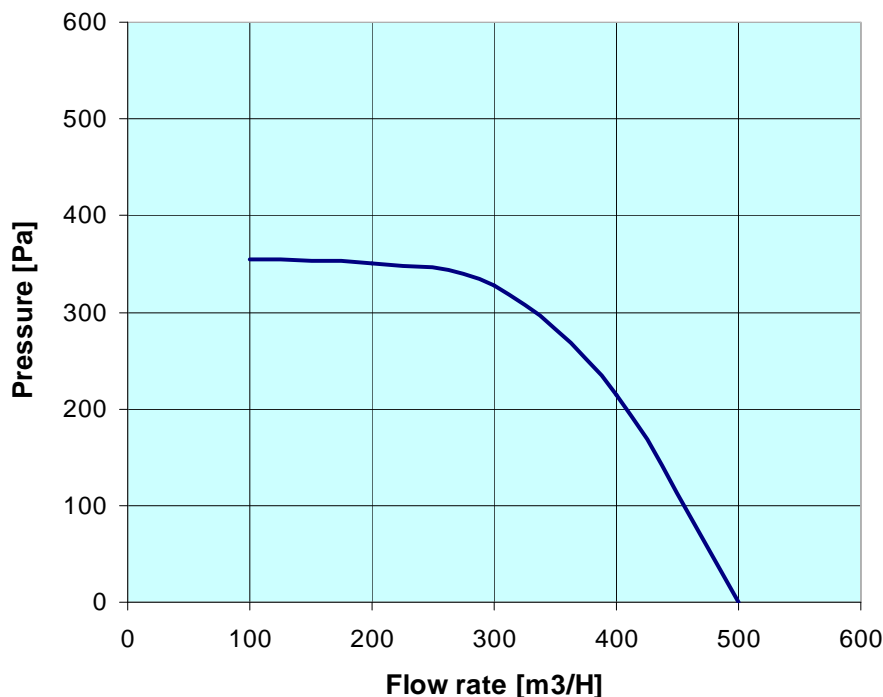
Locked Rotor test

V	Hz	μ F	W	A
220	50			

code 30.97302.00 **Project code** P8880 **Stack** M35 **Poles** 2
Voltage [V] 220 - 240 **Frequency [Hz]** 50 - 60 **μ F** 4 **Vc** 450
W 210 **A** 0.86 **Rpm** 2300 **class** B

Fanmotor

Fan 140 x 59 **Speed** 1 **Scroll** AI5111



	Flow rate [m3/H]	Pressure [Pa]	Rpm	Wl [w]	il [A]
V 230	100	354	2807	89,22	0,39
Hz 50	200	350	2732	100,6	0,437
	300	328	2612	116,7	0,505
	500	0	2259	155,9	0,669

V	Hz	μ F	Tested equipment	Δ Tm	Δ Ta	Rpm
---	----	-----	------------------	------	------	-----

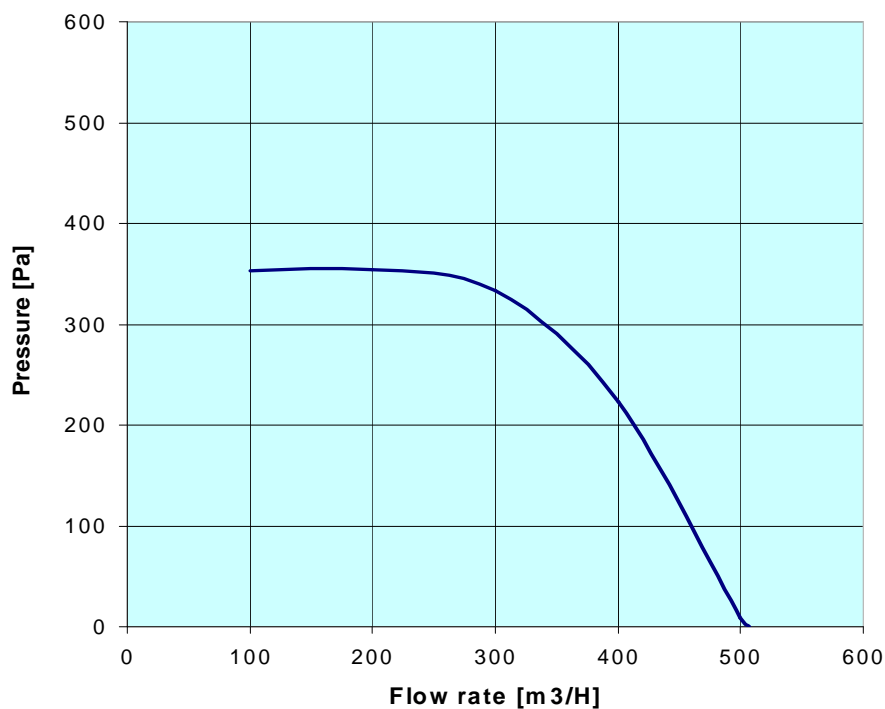
Locked Rotor test

V	Hz	μ F	W	A
230	50			

code 30.97302.00 **Project code** P8880 **Stack** M35 **Poles** 2
Voltage [V] 220 - 240 **Frequency [Hz]** 50 - 60 **μ F** 4 **Vc** 450
W 210 **A** 0.86 **Rpm** 2300 **class** B

Fanmotor

Fan 140 x 59 **Speed** 1 **Scroll** AI5111

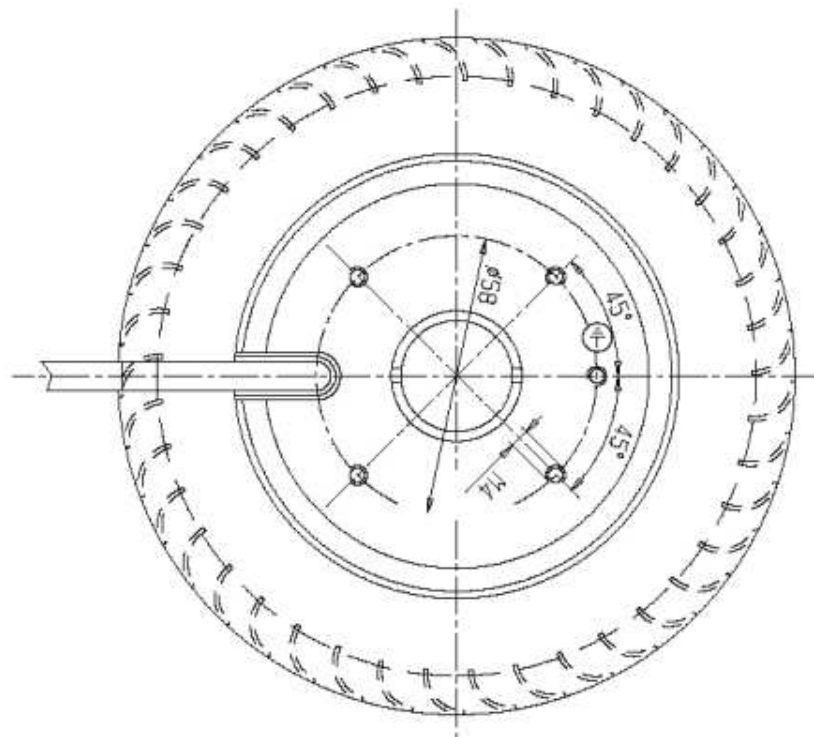
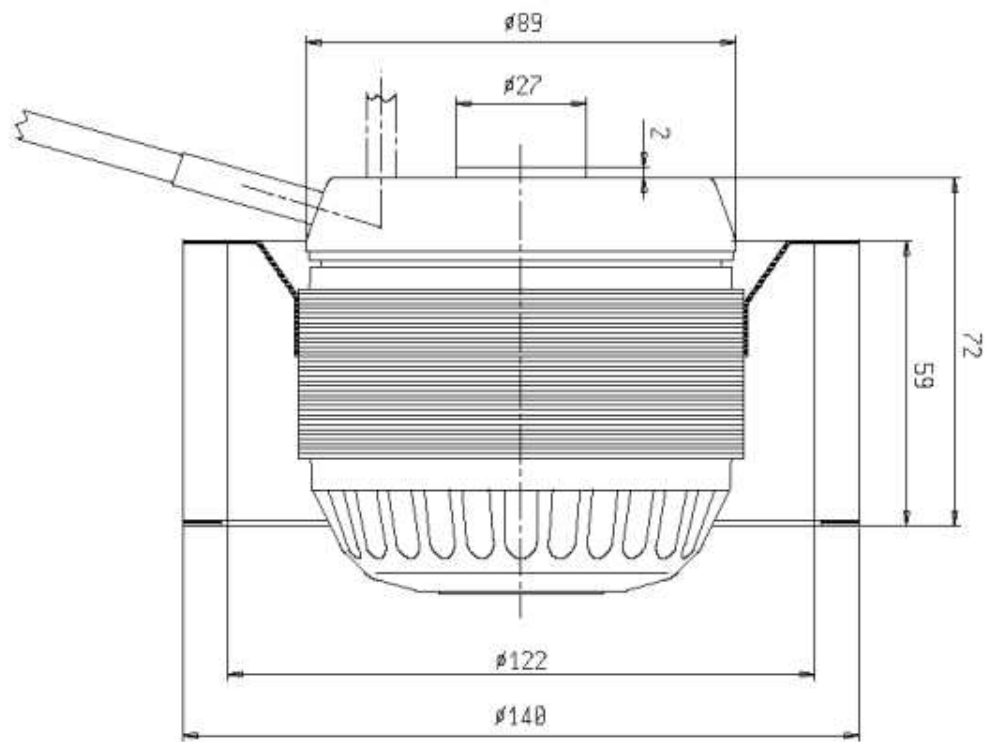


	Flow rate [m3/H]	Pressure [Pa]	Rpm	Wl [w]	il [A]
V 240	100	353	2813	99,53	0,421
Hz 50	300	333	2639	122,5	0,509
	400	226	2498	141,4	0,585
	507	0	2291	163,4	0,677

V	Hz	μ F	Tested equipment	Δ Tm	Δ Ta	Rpm
---	----	-----	------------------	------	------	-----

Locked Rotor test

V	Hz	μ F	W	A
240	50			



code 30.97302.00

Project code P8880

Stack M35

Poles 2

Voltage [V] 220 - 240

Frequency [Hz] 50 - 60

μ F 4

Vc 450

W 210

A 0.86

Rpm 2300

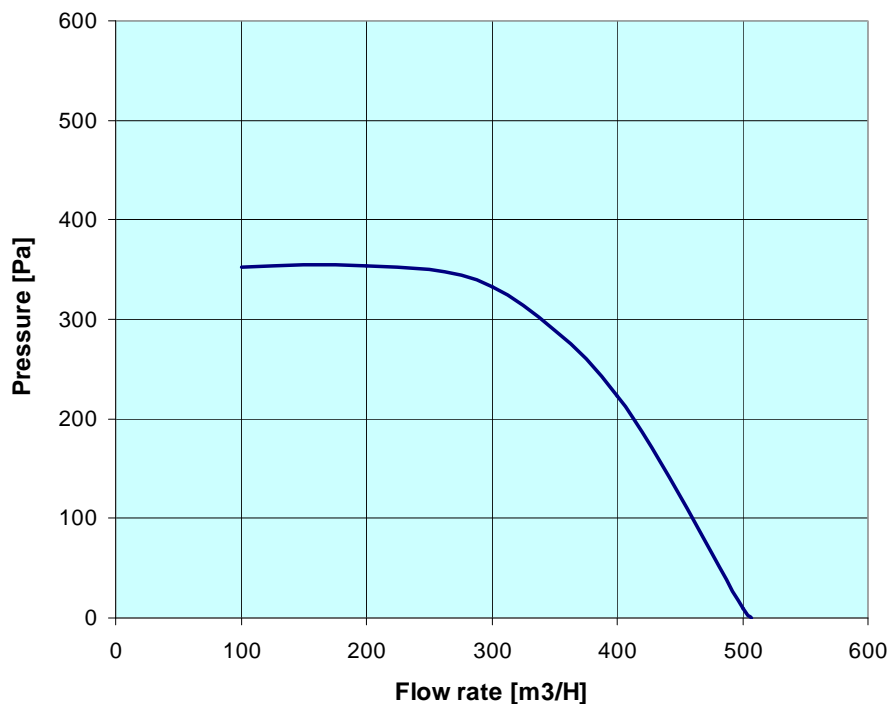
class B

Fanmotor

Fan 140 x 59

Speed 1

Scroll AI5111

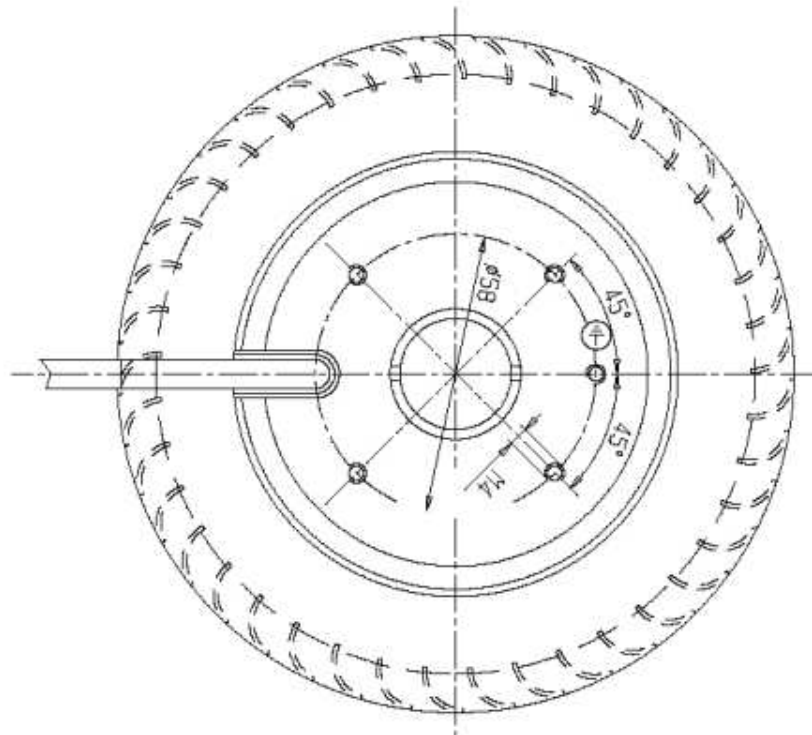
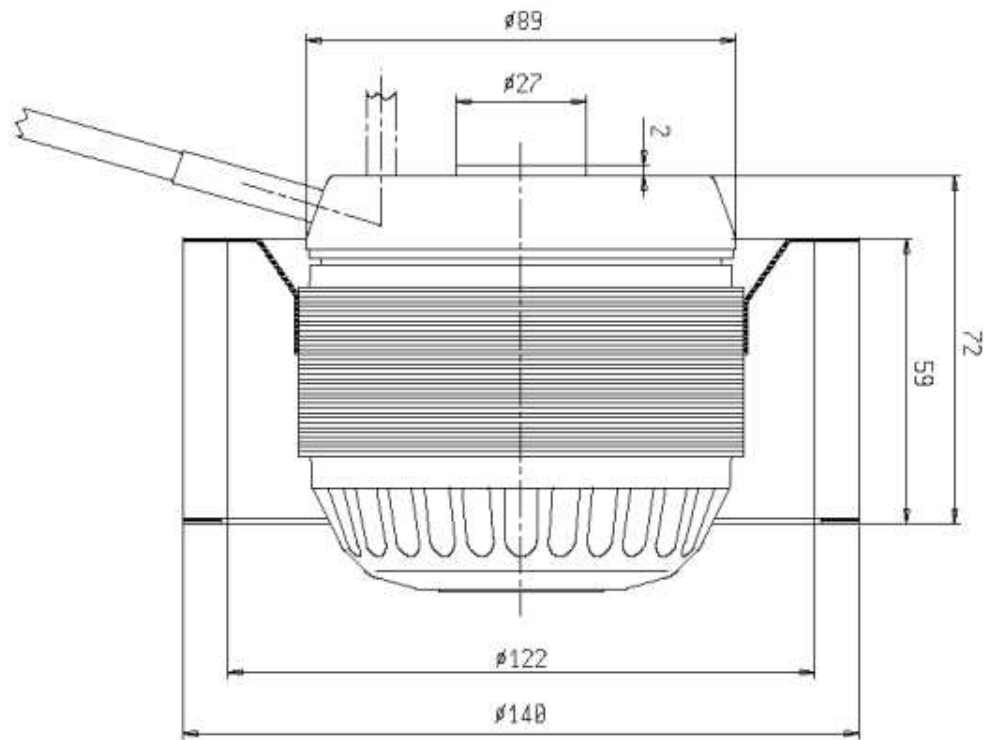


	Flow rate [m3/H]	Pressure [Pa]	Rpm	WI [w]	il [A]
V	100	474	3243	114,5	0,545
Hz	200	448	3099	127,9	0,597
	300	397	2872	146,2	0,671
	469	0	2114	182,4	0,819

V	Hz	μ F	Tested equipment	Δ Tm	Δ Ta	Rpm
---	----	---------	------------------	-------------	-------------	-----

Locked Rotor test

V	Hz	μ F	W	A
220	60			



code 30.97302.00

Project code P8880

Stack M35

Poles 2

Voltage [V] 220 - 240

Frequency [Hz] 50 - 60

μ F 4

Vc 450

W 210

A 0.86

Rpm 2300

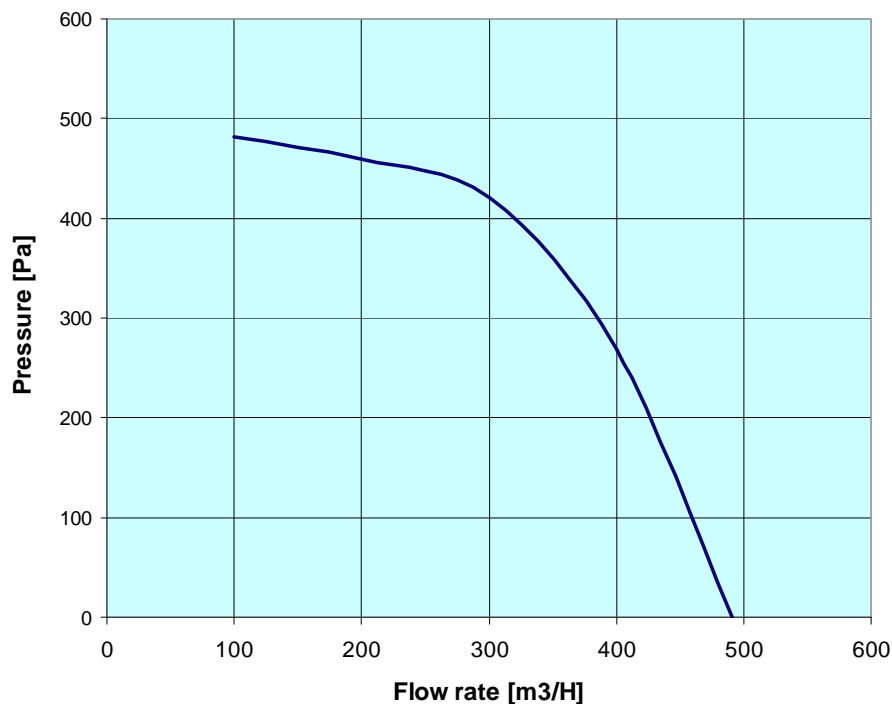
class B

Fanmotor

Fan 140 x 59

Speed 1

Scroll AI5111

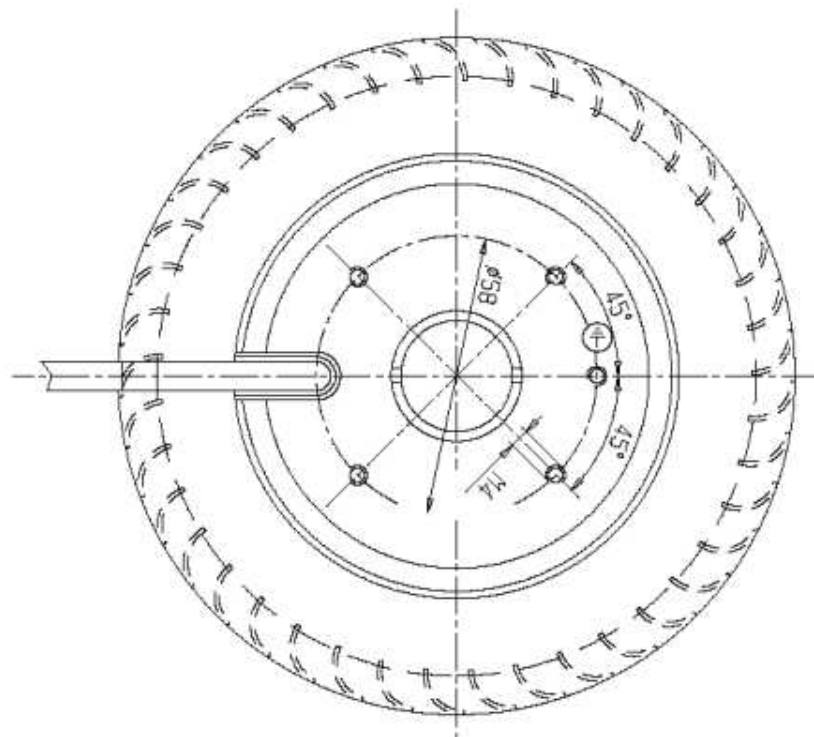
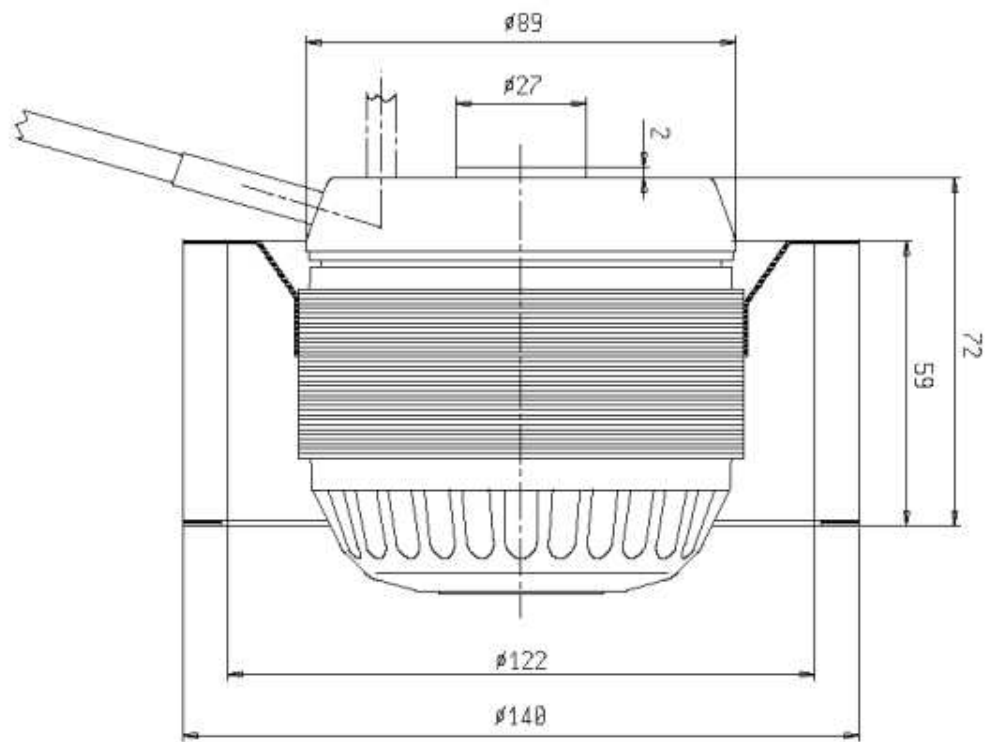


	Flow rate [m3/H]	Pressure [Pa]	Rpm	Wl [w]	il [A]	
V	230	100	482	3269	122,2	0,553
Hz	60	200	459	3139	137,3	0,613
		300	421	2949	155,6	0,686
		491	0	2207	195	0,841

V	Hz	μ F	Tested equipment	Δ Tm	Δ Ta	Rpm
---	----	---------	------------------	-------------	-------------	-----

Locked Rotor test

V	Hz	μ F	W	A
230	60			



code 30.97302.00

Project code P8880

Stack M35

Poles 2

Voltage [V] 220 - 240

Frequency [Hz] 50 - 60

μ F 4

Vc 450

W 210

A 0.86

Rpm 2300

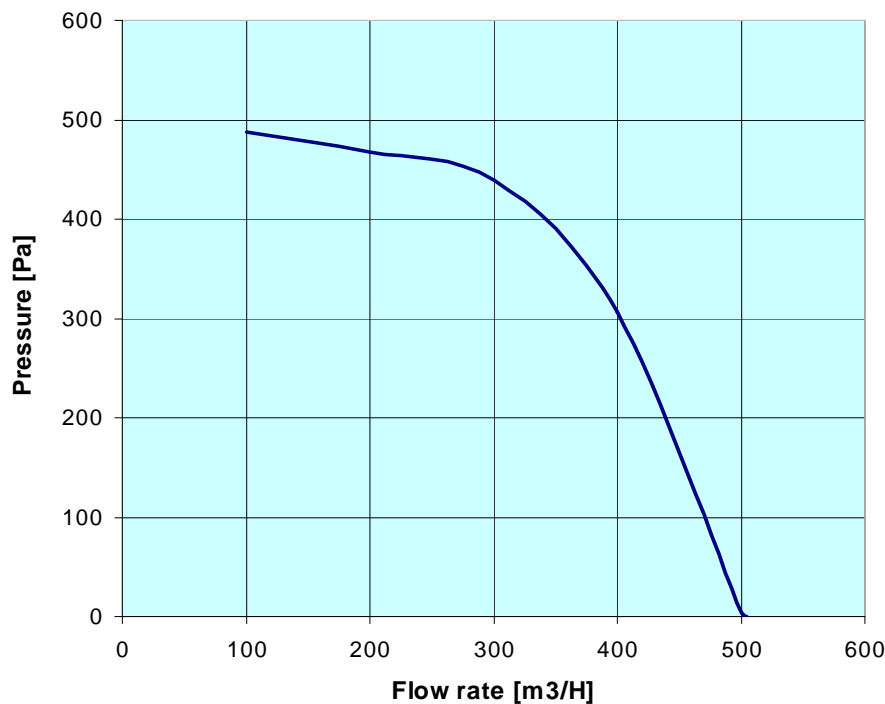
class B

Fanmotor

Fan 140 x 59

Speed 1

Scroll AI5111



	Flow rate [m3/H]	Pressure [Pa]	Rpm	Wl [w]	il [A]	
V	240	100	488	3289	134,1	0,567
Hz	60	200	468	3178	145,3	0,617
		400	307	2735	182,7	0,764
		505	0	2298	207,5	0,857

V	Hz	μ F	Tested equipment	Δ Tm	Δ Ta	Rpm
254	60	4	Scroll f.a.	87,5	85	
254	60	4	Scroll p.c.	55	74	

Locked Rotor test

V	Hz	μ F	W	A
240	60	4		

